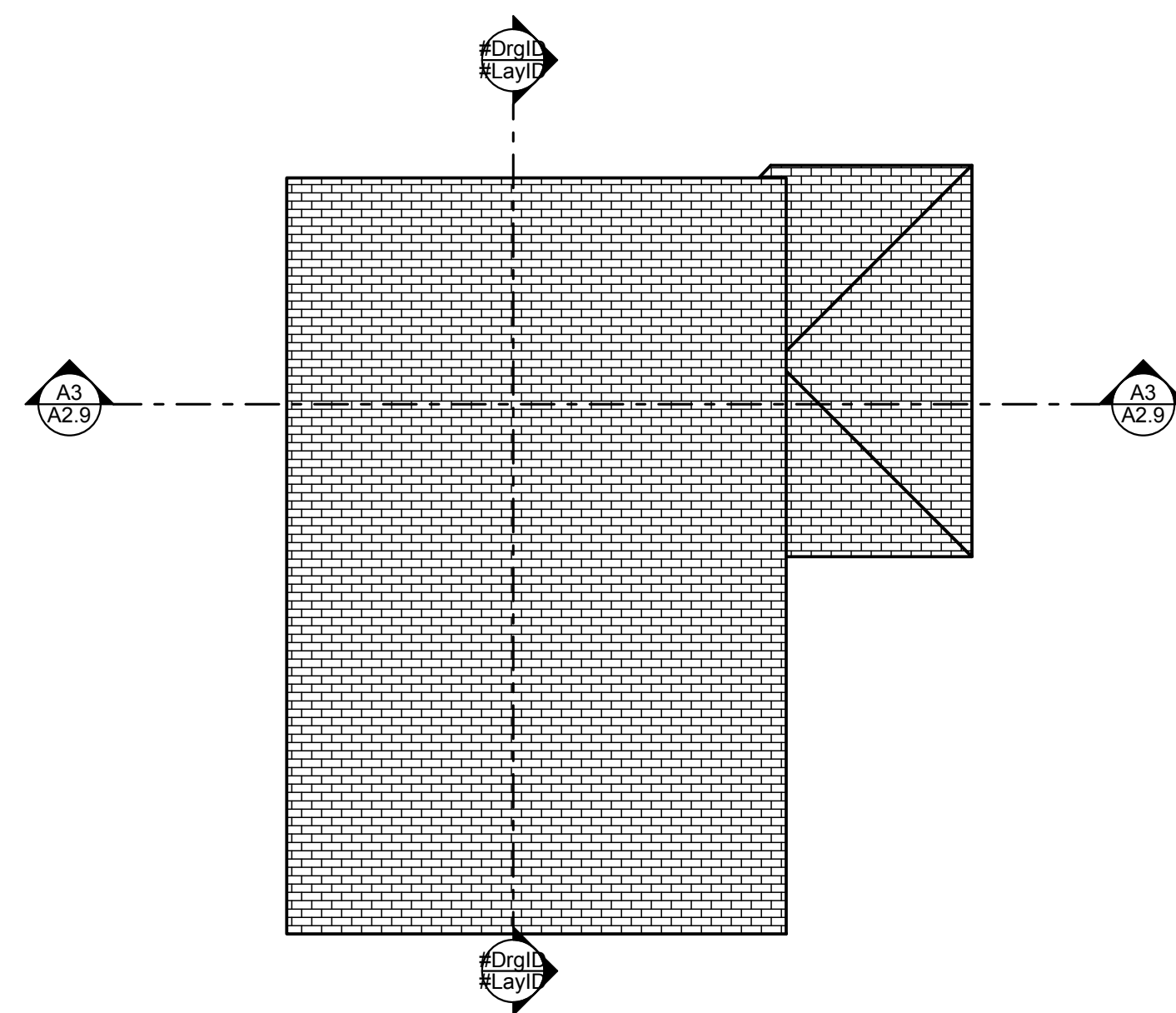
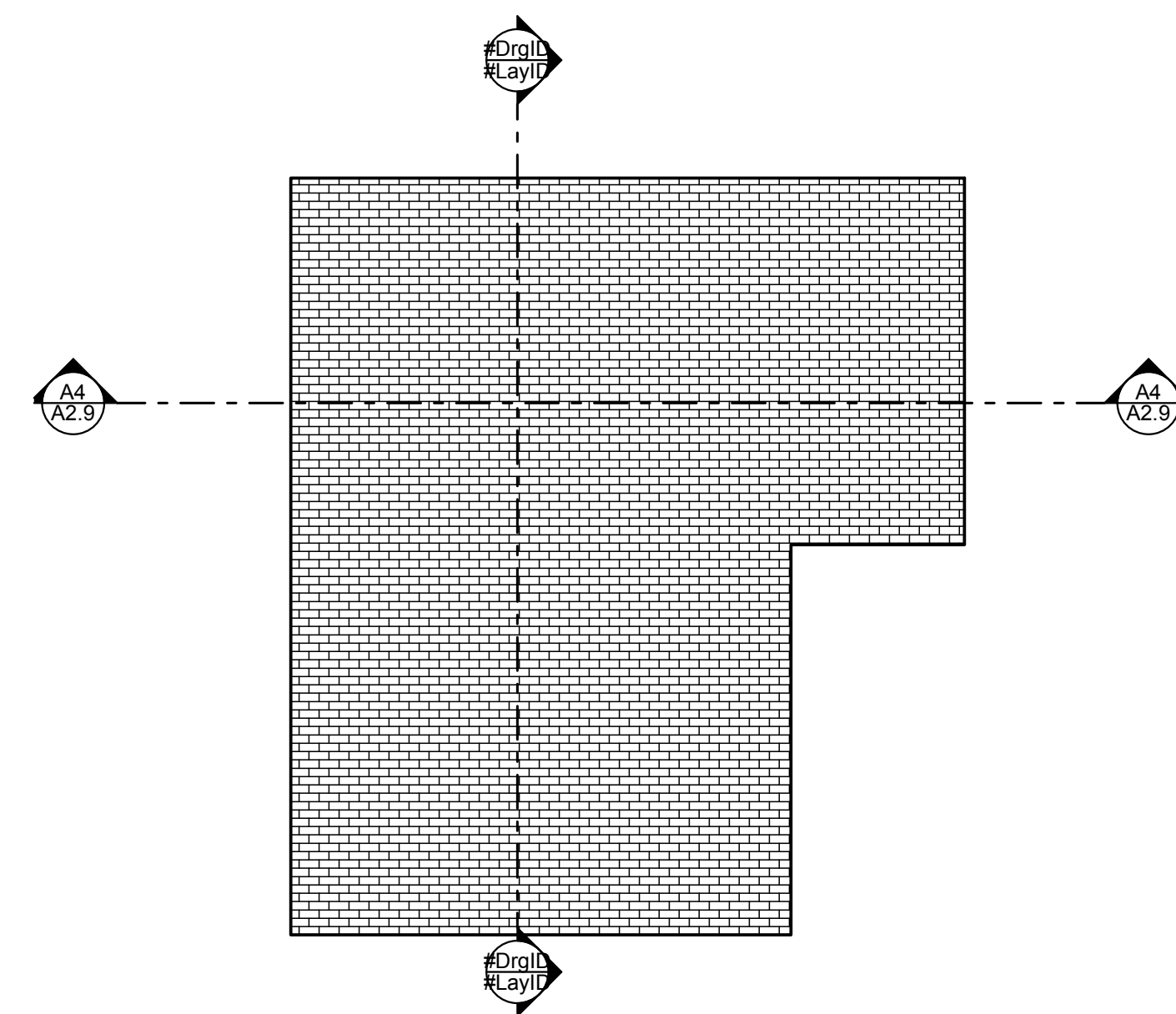


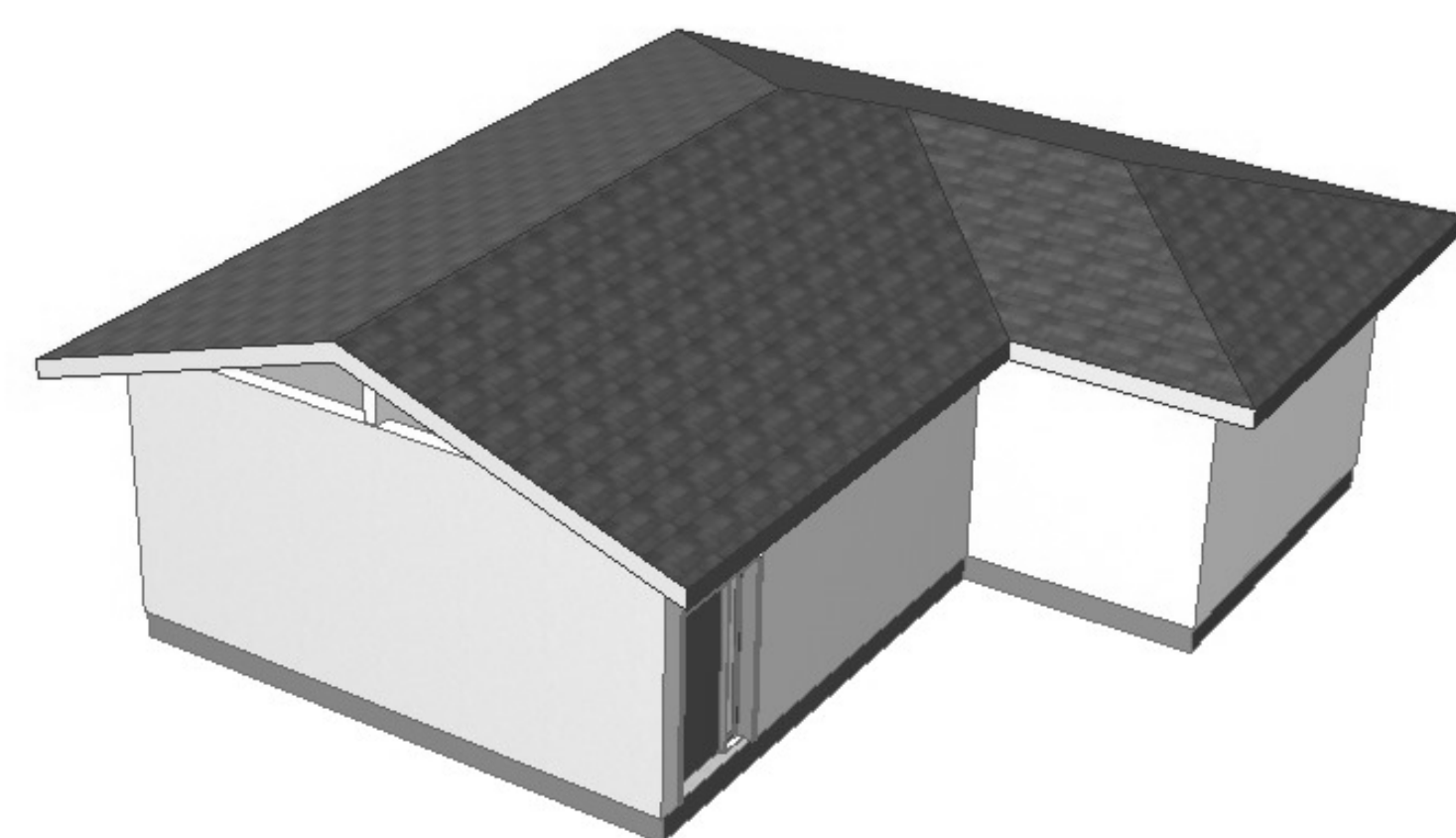
C2 SECOND FLOOR PLAN 1/8" = 1'-0"



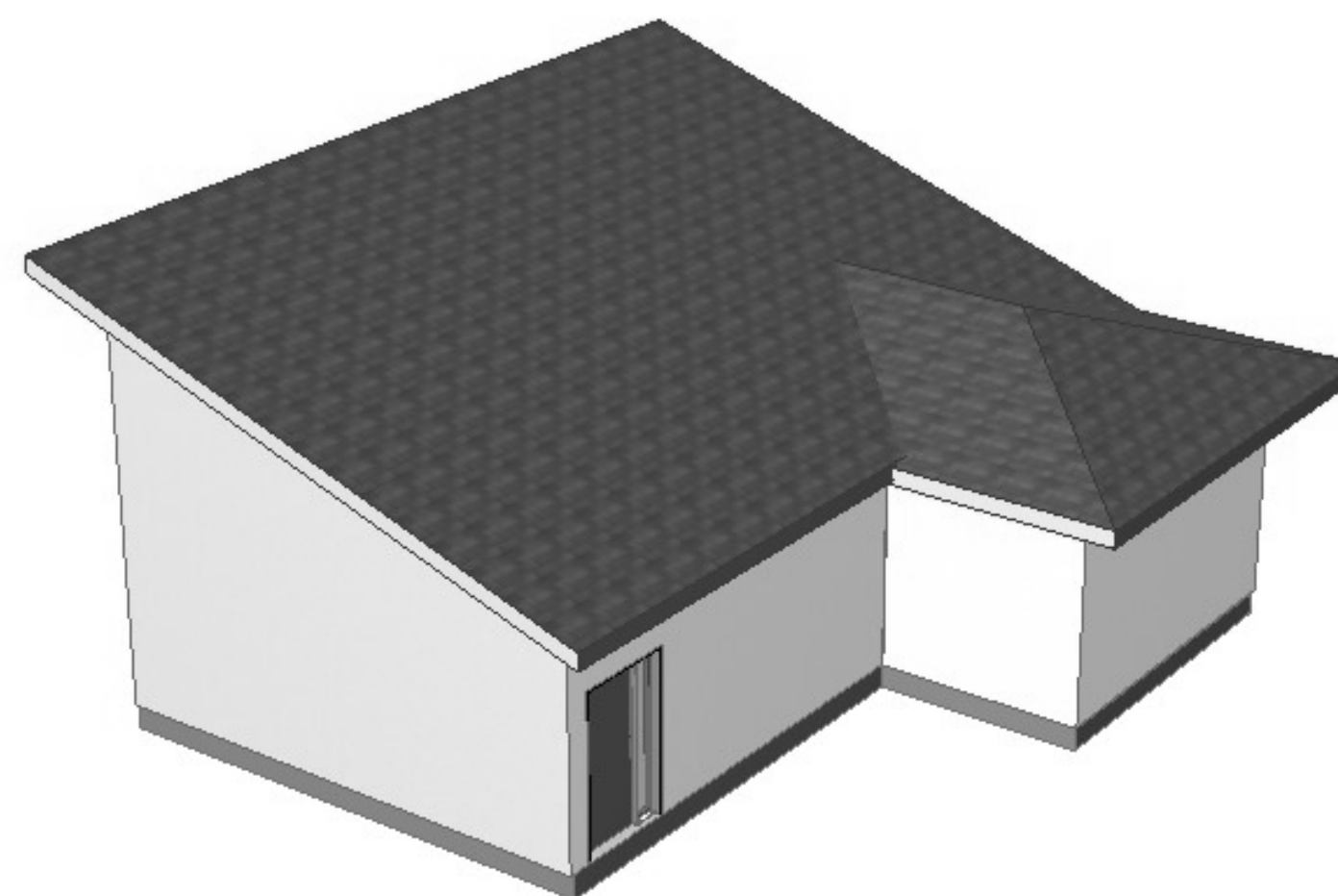
C3 SECOND FLOOR PLAN 1/8" = 1'-0"



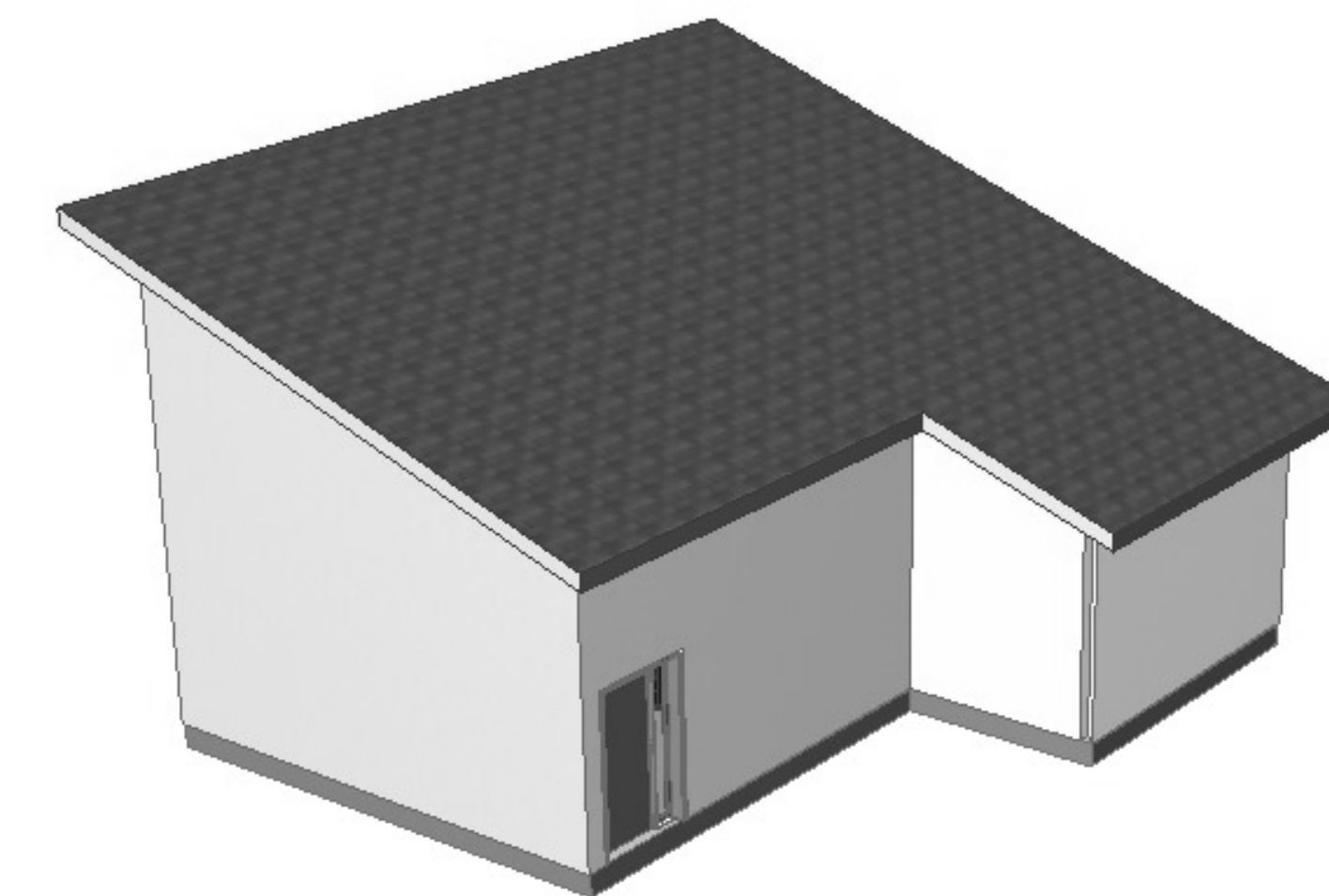
C4 SECOND FLOOR PLAN 1/8" = 1'-0"



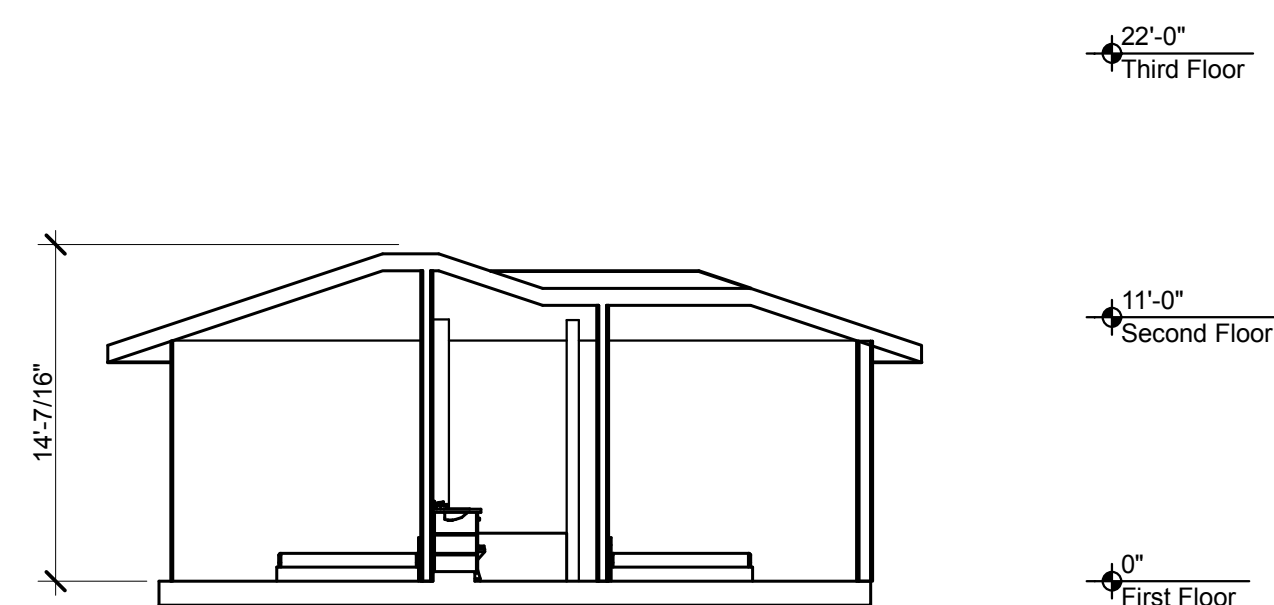
B2 Generic Perspective (4) 1:58.41



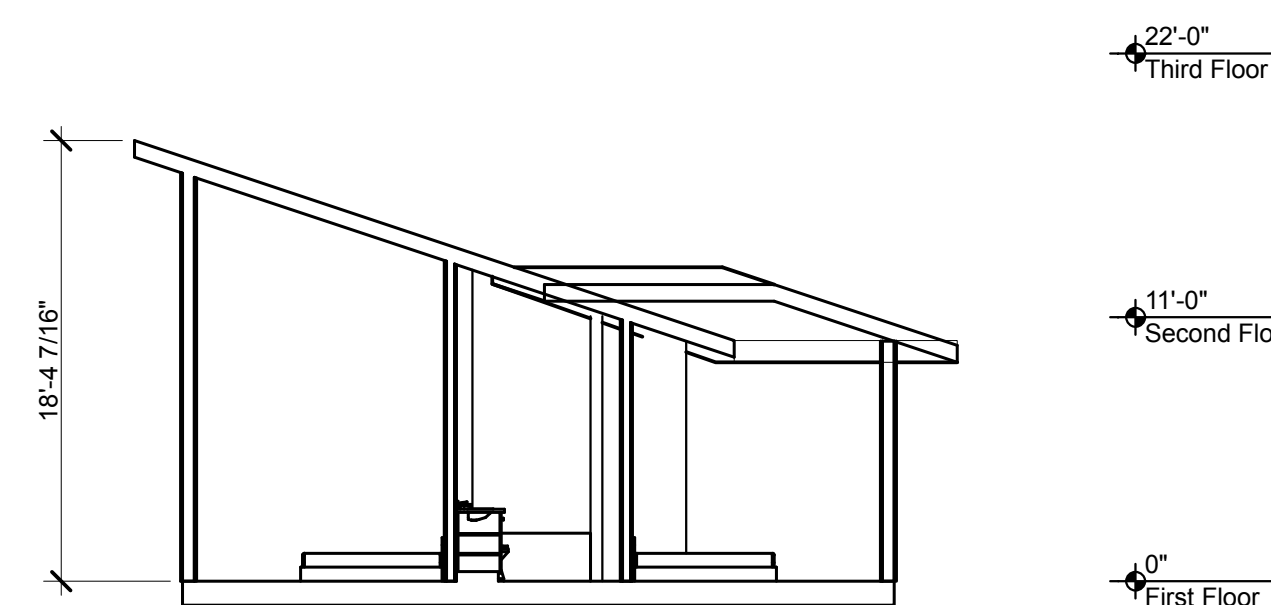
B3 Generic Perspective (3) 1:52.73



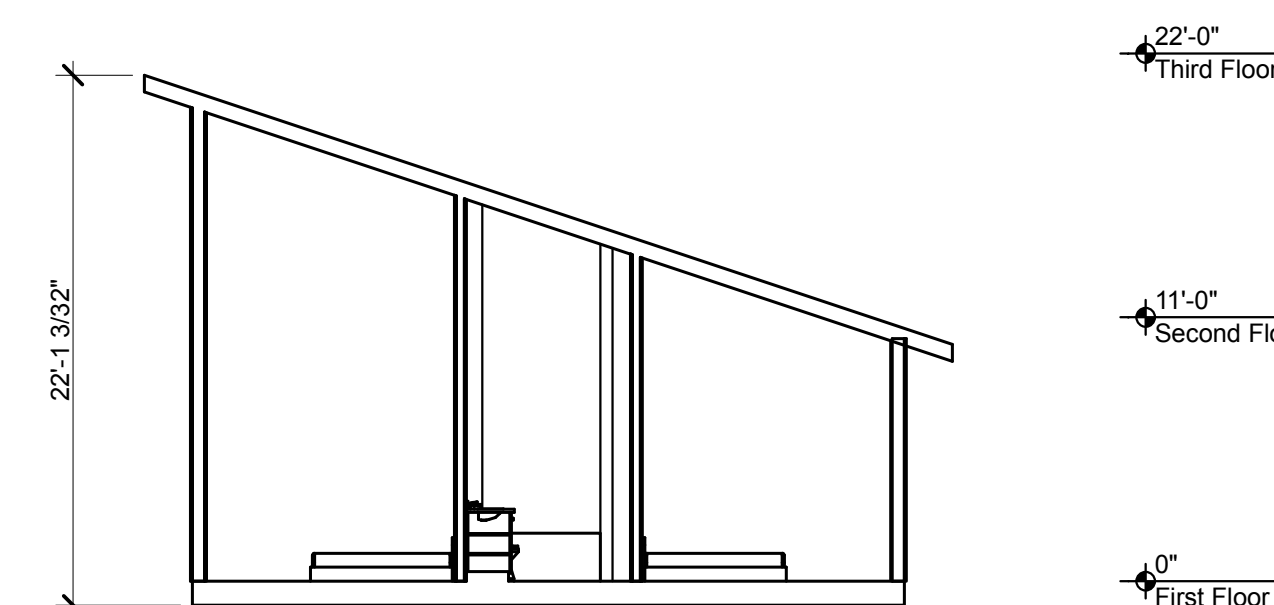
B4 Generic Perspective (1) 1:51.42



A2 Section A 1/8" = 1'-0"



A3 Section A 1/8" = 1'-0"



A4 Section A 1/8" = 1'-0"

PROJECT:	0000.00
DRAWN BY:	XXXX XXXXXXX
CHECKED BY:	
CAD FILE NAME:	
DATE OF ISSUE:	YYYY-MM-DD
DRAWING DESCRIPTION	
ACCESSORY DWELLING UNIT OPTIONS	
DRAWING NUMBER	